

RIVERA

Rivera Hammered Bar/Prep Sink KPU-1715



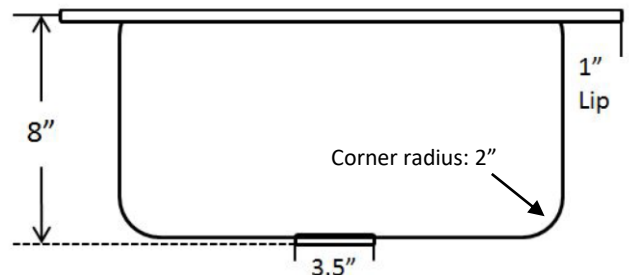
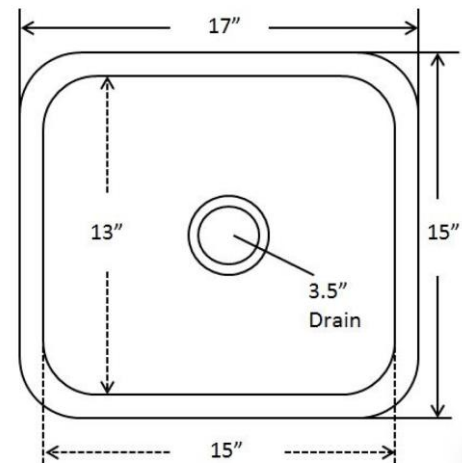
THOMPSON

FEATURES

- Rectangular hand hammered design
- Easy to clean and maintain
- Rigorously tested to ensure no puddling or leaking
- Coordinating drain available
- Limited Lifetime Warranty

DIMENSIONS & WEIGHT

- Outer 17" x 15", 8" depth
- Inner 15" x 13", 8" depth
- Drain 3.5"
- Weight 7.8-9.4 pounds depending on model number



AVAILABLE MATERIALS/FINISHES

Images intended for reference only:



Rivera Hammered Stainless Steel
Item Code: KPU-1715HSS
Drain: TDD35-BRN or TDB35-BRN



Rivera Aged Copper
Item Code: KPU-1715BC
Drain: TDD35-AC or TDB35-AC



Rivera Antique Copper
Item Code: KPU-1715HA
Drain: TDD35-AC or TDB35-AC



Rivera Hammered Nickel
Item Code: KPU-1715BRN
Drain: TDD35-BRN or TDB35-BRN



Rivera Hammered Brass
Item Code: KPU-1715HPB
Drain: TDD35-PB or TDB35-PB

***Due to the hand-made nature of our sinks, all dimensions may vary +/- .25" in any direction. We do not provide templates and recommend that all countertops or projects be templated from the sink itself.*



Contact us at customerservice@thompsontraders.com or (336) 272-3003.
Thompson reserves the right to make revisions without notice to product specifications.
For the most current Specification Sheet, go to www.thompsontraders.com